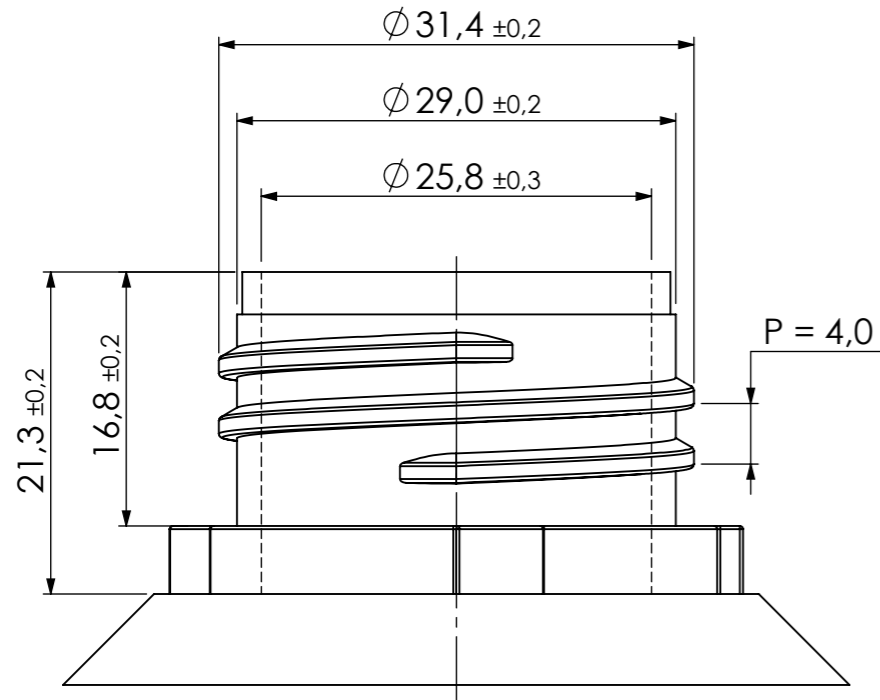


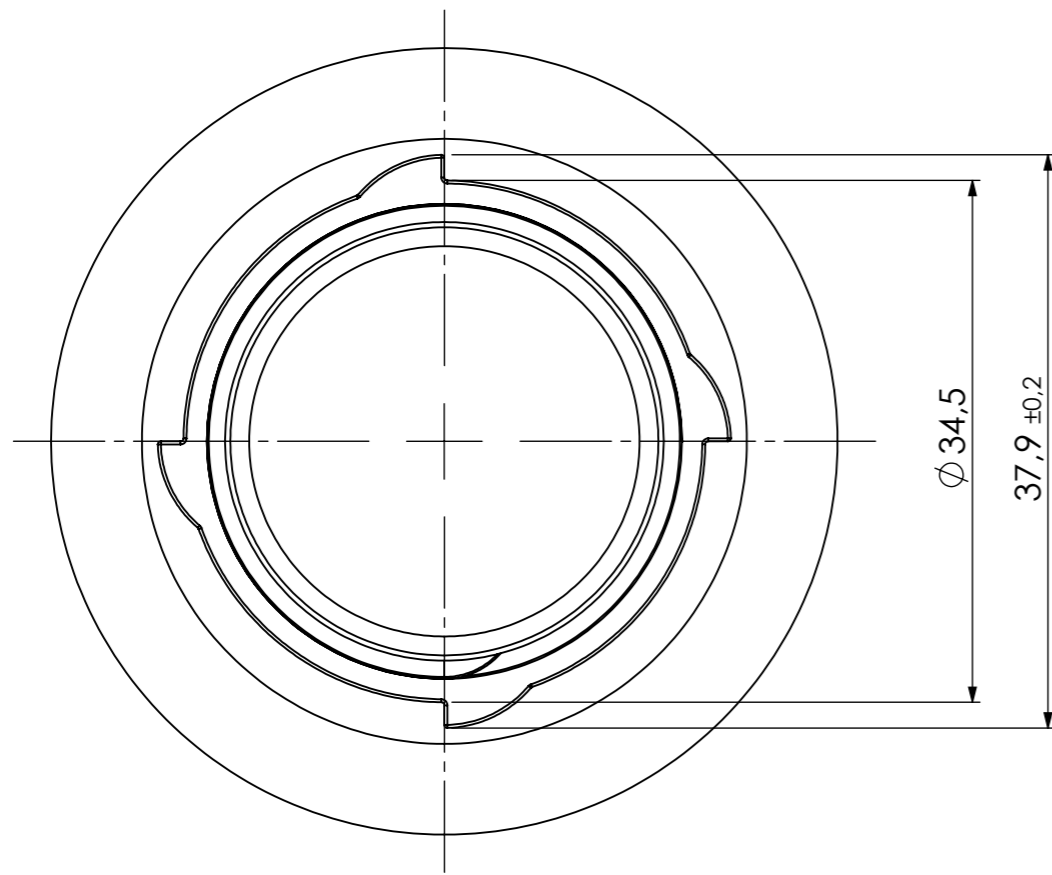
Issue	Engineer change notes	Date	Sign.	Appr.
2	026	140114	AL	



Very Important

The neck dimensions shown are those which have generally been found to be functional but each closure/finish system should be individually evaluated. Neck finishes having dimension outside these ranges can also be appropriate for use, therefore the bottle neck drawing is only a recommendation.

This recommendation is for following closures: 32ND, 32NDO



THEORETICAL WEIGHT/
TEORETISK VIKT: XXXg

THEORETICAL MATERIAL VOLUME/
TEORETISK MATERIAL VOLYM: XXX cm³

MEASUREMENT NOT STATED RE. TO CADMODEL
MÄTT EJ UTSATTA REF. TILL CADMODELL

GENERAL TOLERANCE ACCORDING TO/
GENERELL TOLERANS ENL. :DIN 16901-130

Modulpac AB Västergatan 16 SE-341 50 Lagan Sweden tel. +46-(0)372-25500 fax. +46-(0)372-25501	Scale 2:1	Drawn by JL	Appr.	Material	Date 110531
	Name 32ND_NECK			Format A3	Issue 2
	Drawing No. 32NDHALS				