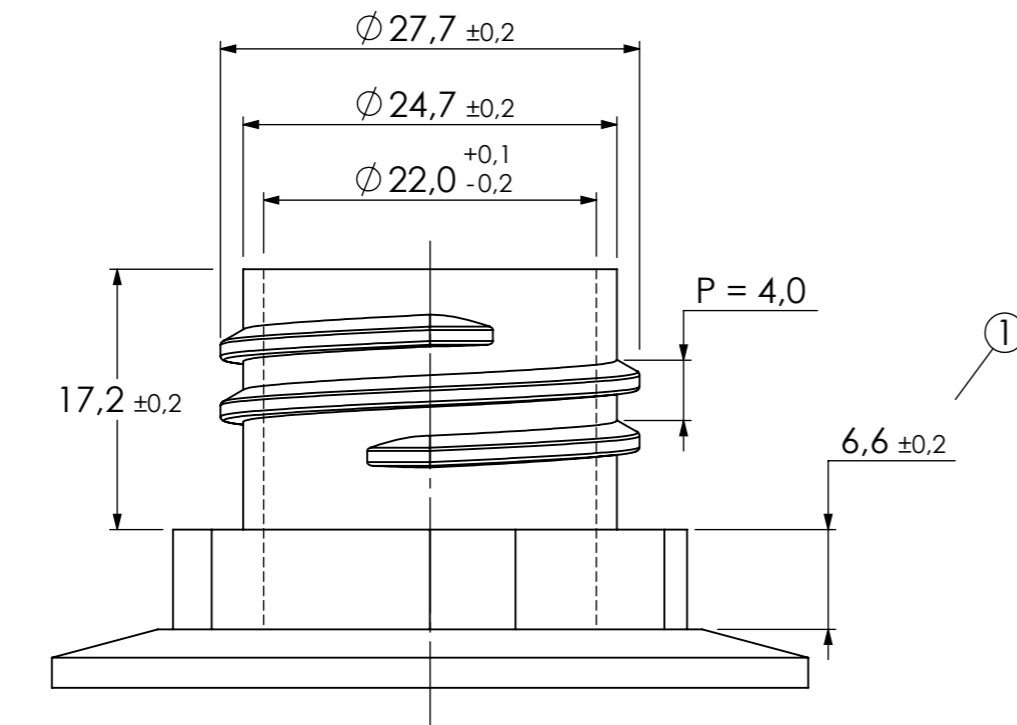


No.	Quantity	Changed / CS No	Date	Sign.	Appr.
1	2	General tol. added, measure 6,6 before 6,0	070316	JL	
2	1	New drawing, Note added	090414	JL	
3	1	Note added	100128	JL	



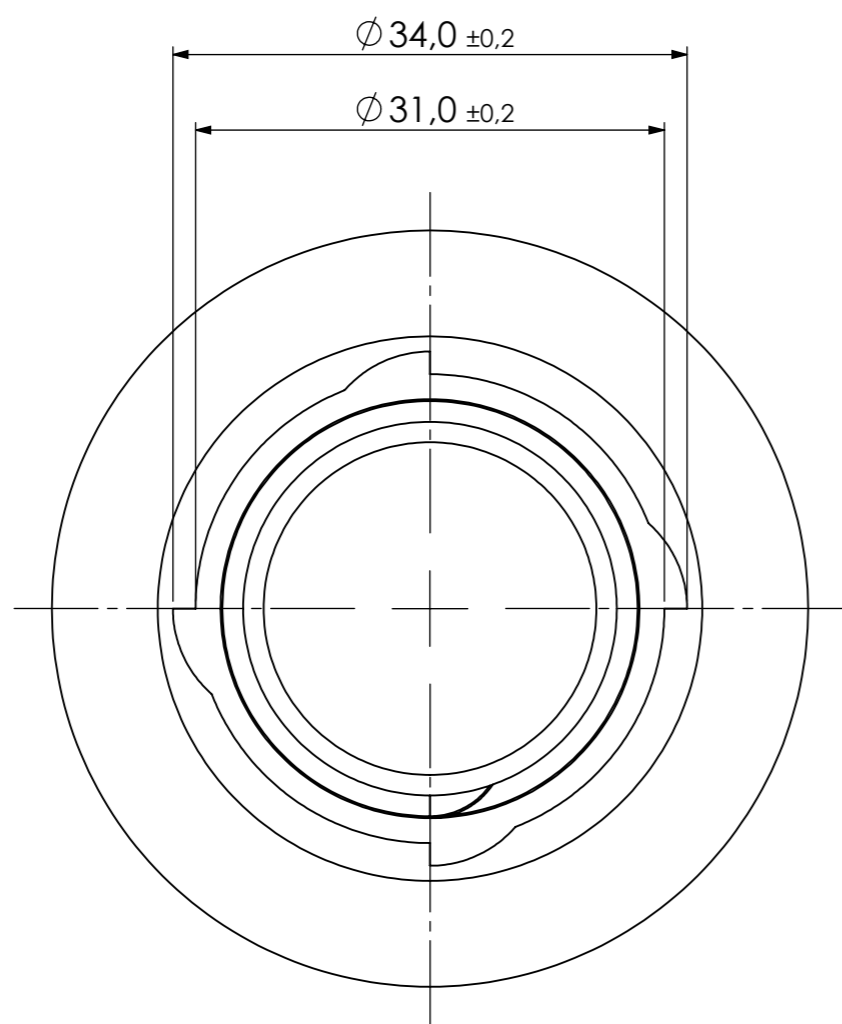
②

Very Important

The neck dimensions shown are those which have generally been found to be functional but each closure/finish system should be individually evaluated. Neck finishes having dimension outside these ranges can also be appropriate for use, therefore the bottle neck drawing is only a recommendation.

③

This recommendation is for following closure: 28P



① General tolerance: SS-ISO 2768-1 m

Modulpac AB Industrigatan 11 SE-340 14 Lagan Sweden tel. +46-(0)372-25500 fax. +46-(0)372-25501	Scale	Drawn by	Appr.		Material	Date
	2:1	UM				990902
	Name					Format
28 mm sealed neck std					A3	4
					Drawing No.	
					28PHALS	

All drawings and technical documents for the manufacture of the goods or parts thereof, which the Party submitted remain the transferring Party's (intellectual) property. These may not, without the written consent of the Party (owner of the intellectual property), be used by the receiving Party, copied, reproduced, or otherwise disclosed to a third party.